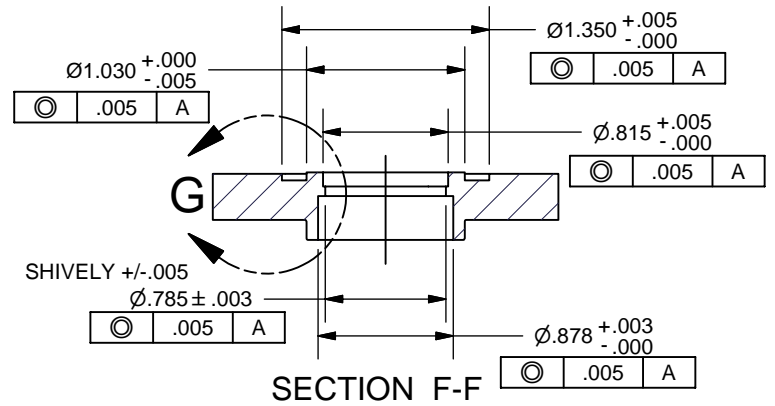
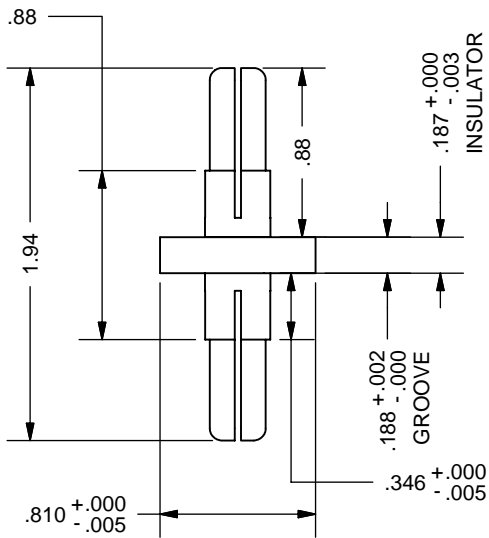
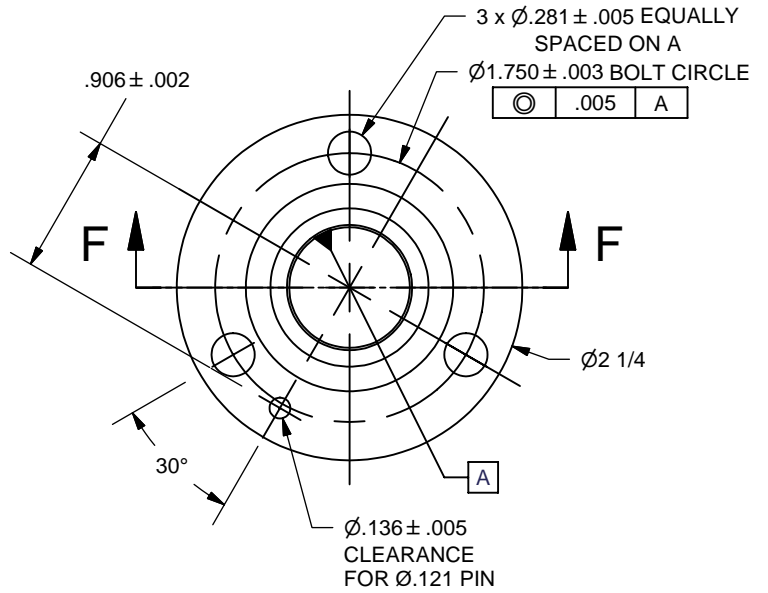
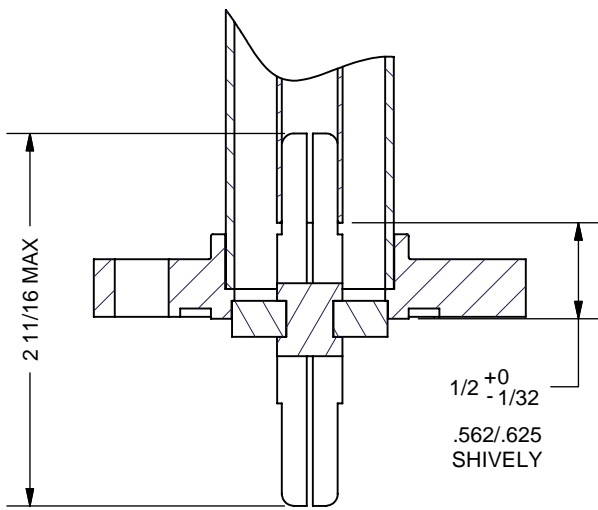
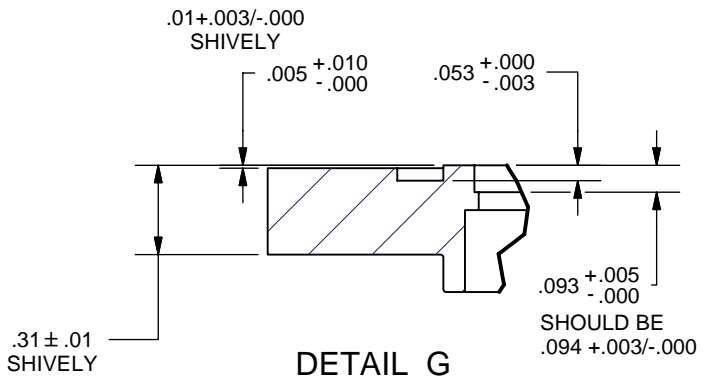


7/8-50 Ohm EIA Connector And Fixed Flange

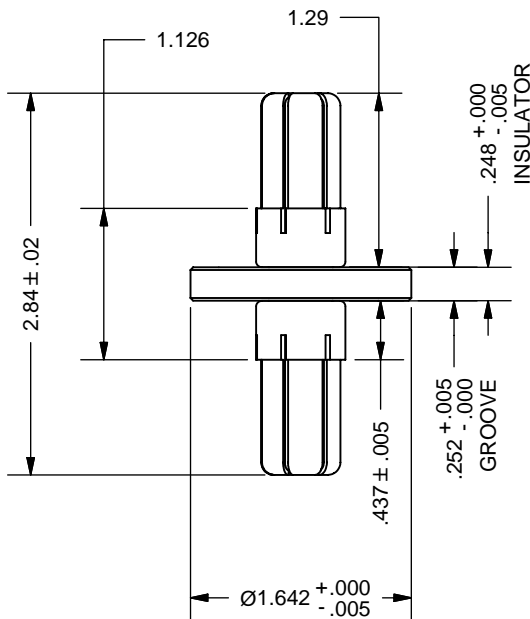
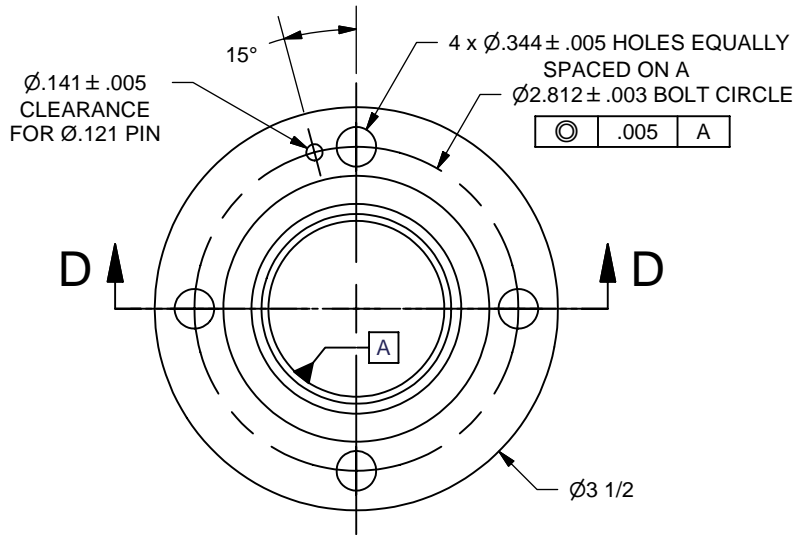
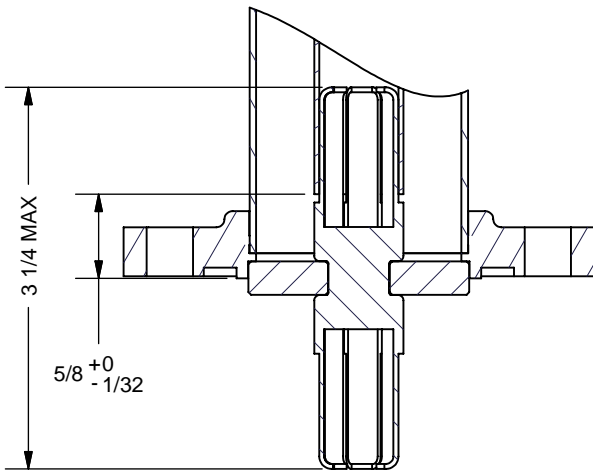


ALL DIM. ARE SHIVELY
IN THIS VIEW

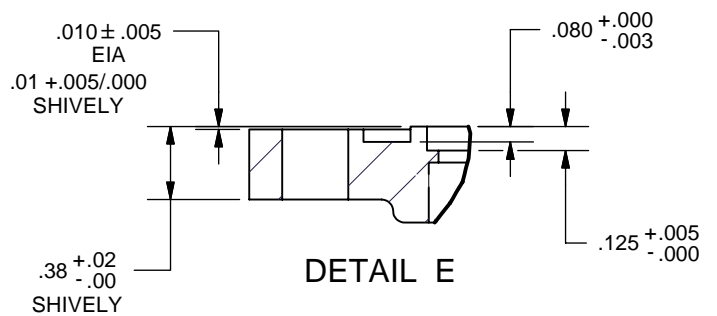
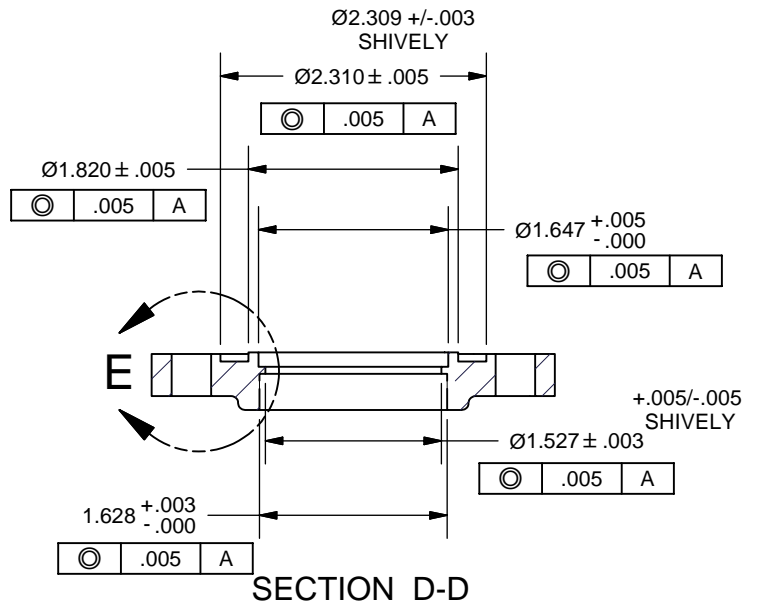


Bolt Data	1/4-20 x 1 Min. Long	
Outer Conductor	.875 $\pm .0025$ OD	.785 $\pm .0025$ ID
Inner Conductor	.341 $\pm .002$ OD	.291 $\pm .002$ ID

1 5/8-50 Ohm EIA Connector And Fixed Flange

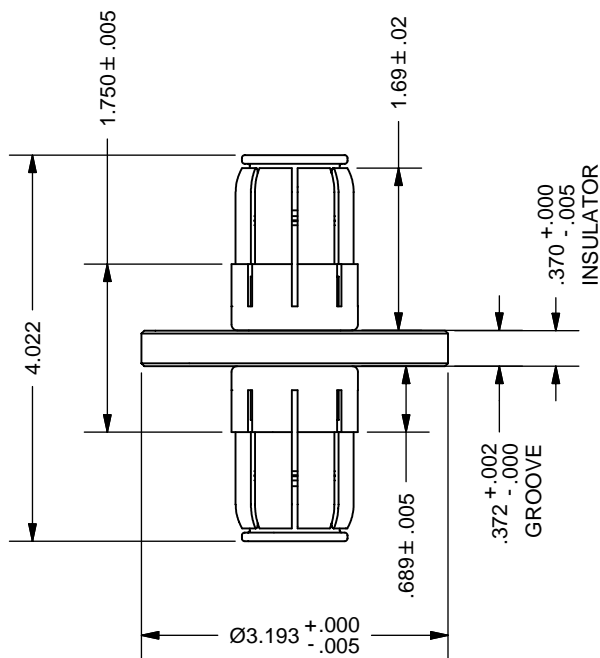
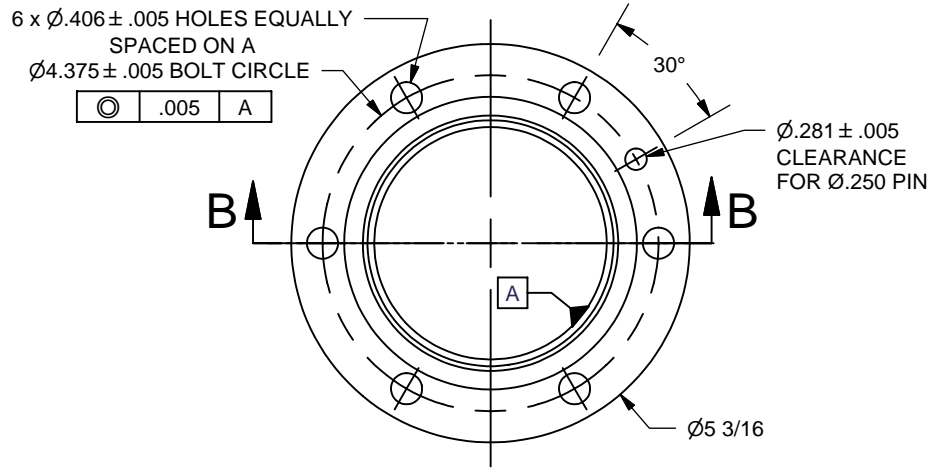
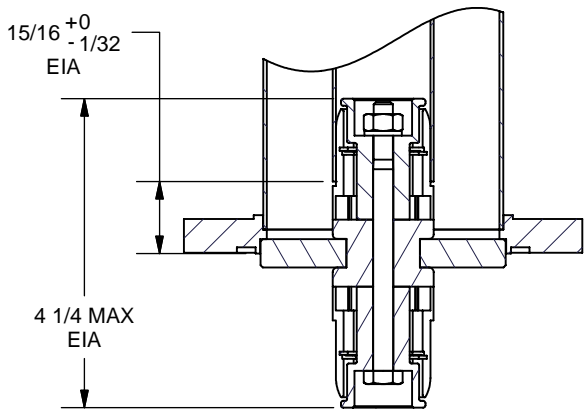


ALL DIM. ARE SHIVELY IN THIS VIEW

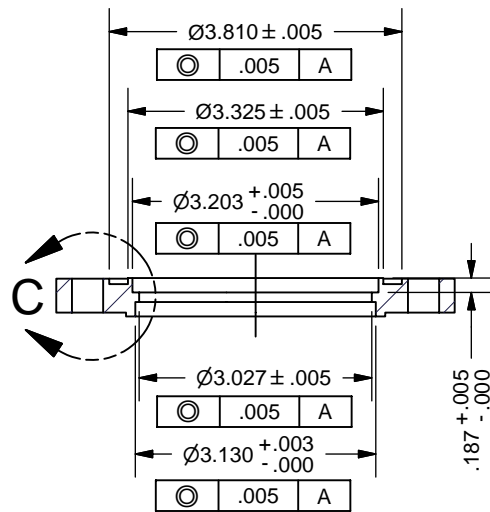


Bolt Data	5/16-18 x 1 3/8 Min. Long	
Outer Conductor	1.625 +/- .003 OD	1.527 +/- .003 ID
Inner Conductor	.664 +/- .0025 OD	.588 +/- .0025 ID

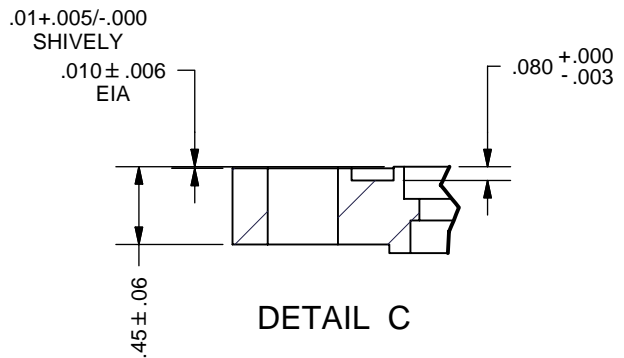
3 1/8-50 Ohm EIA Connector And Fixed Flange



ALL DIM. ARE SHIVELY IN THIS VIEW



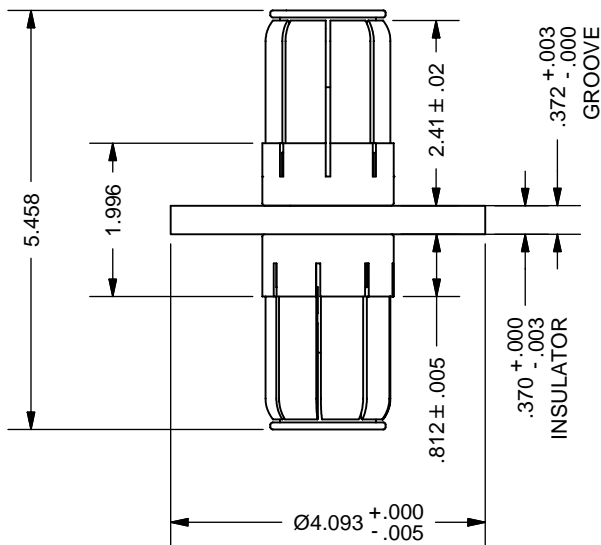
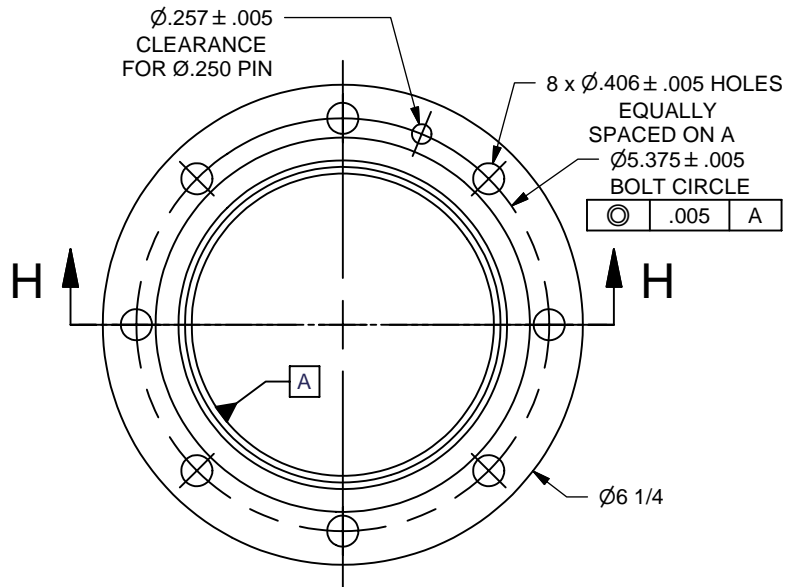
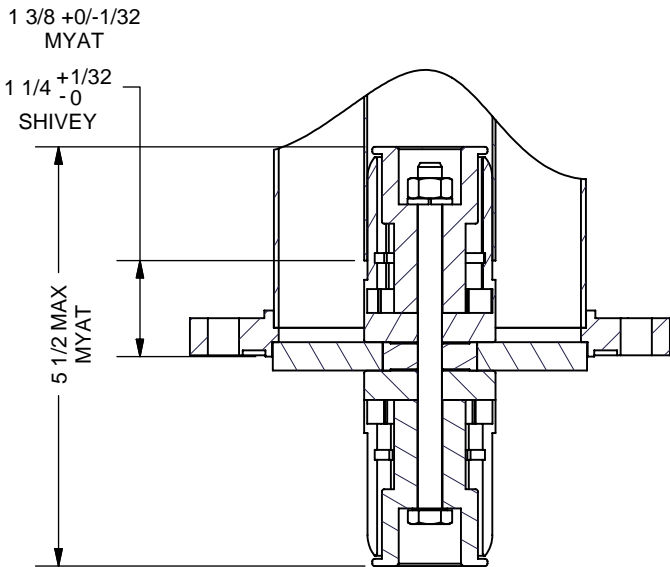
SECTION B-B



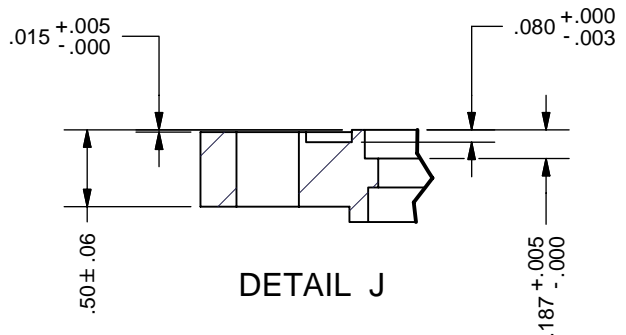
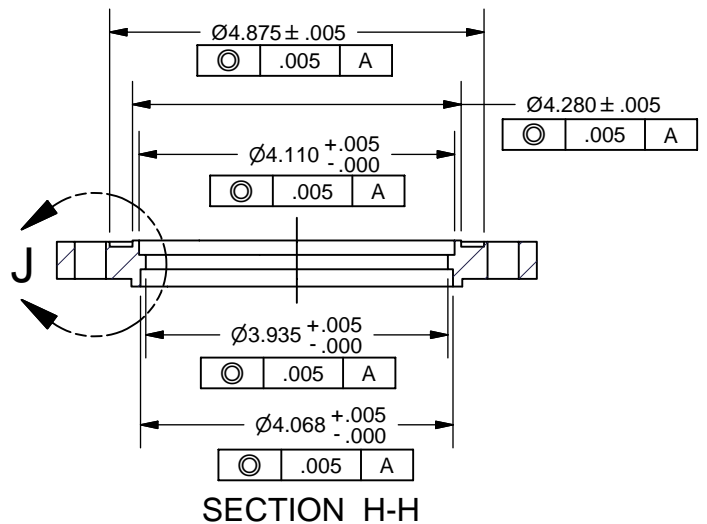
DETAIL C

Bolt Data	3/8-16 x 1 3/8 Min. Long	
Outer Conductor	3.125 +/- .005 OD	3.027 +/- .005 ID
Inner Conductor	1.315 +/- .003 OD	1.231 +/- .003 ID

4 1/16-50 Ohm Connector And Fixed Flange

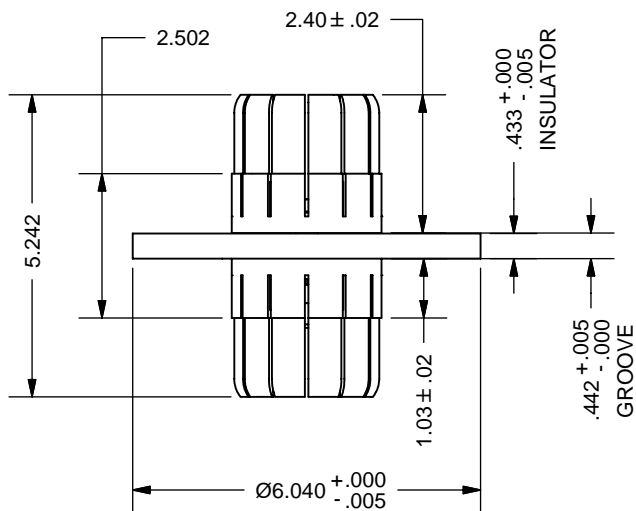
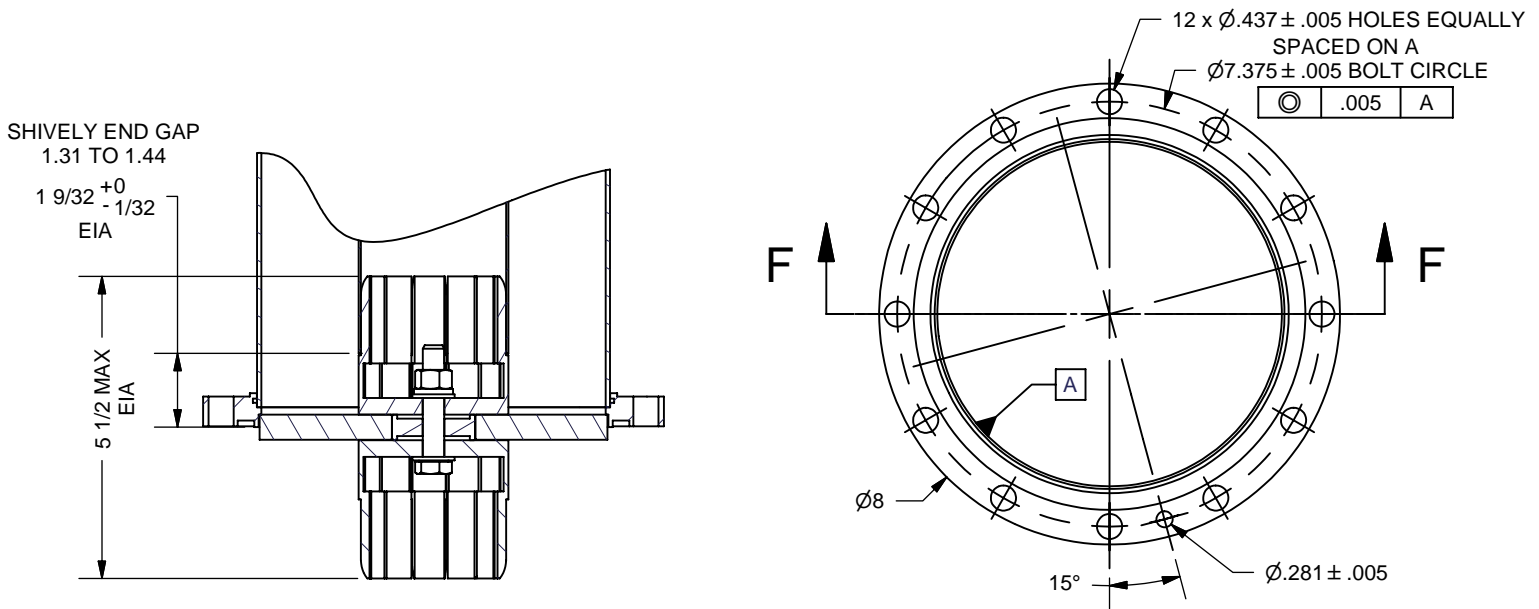


ALL DIM. ARE SHIVELY IN THIS VIEW

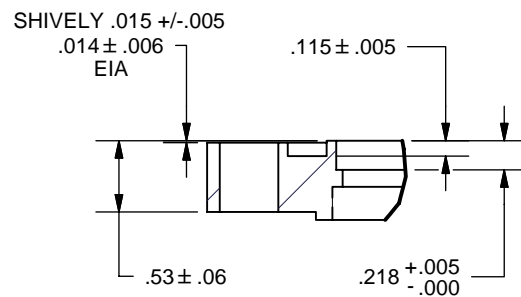
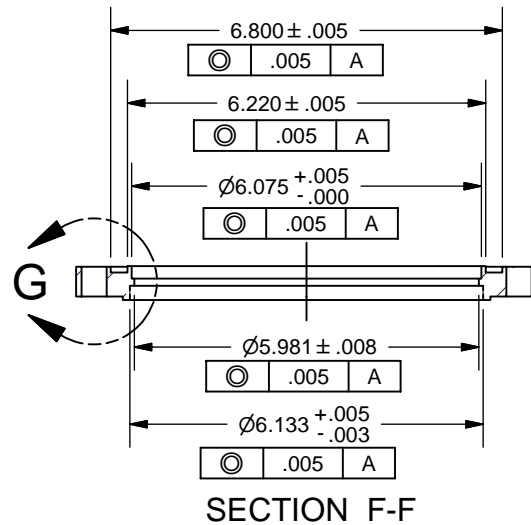


Bolt Data	3/8-16 x 1.38 Min. Long	
Outer Conductor	4.062 +/- .006 OD	3.935 +/- .006 ID
Inner Conductor	1.711 +/- .003 OD	1.631 +/- .003 ID

6 1/8-50 Ohm EIA Connector And Fixed Flange



ALL DIM. ARE SHIVELY
IN THIS VIEW



DETAIL G

Bolt Data	3/8-16 x 1 3/4 Min. Long	
Outer Conductor	6.125 +/- .008 OD	5.981 +/- .008 ID
Inner Conductor	2.600 +/- .004 OD	2.520 +/- .004 ID