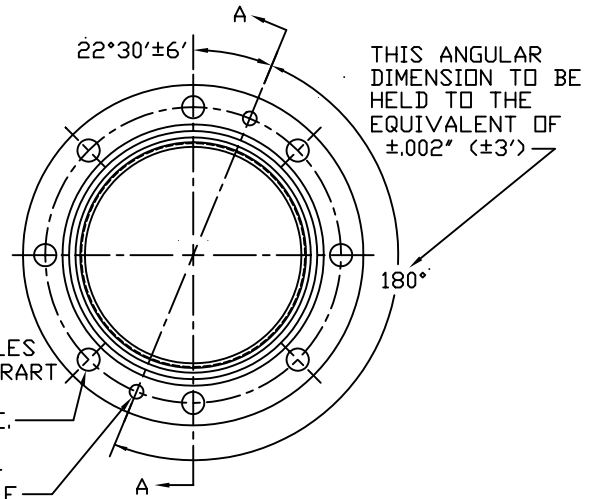
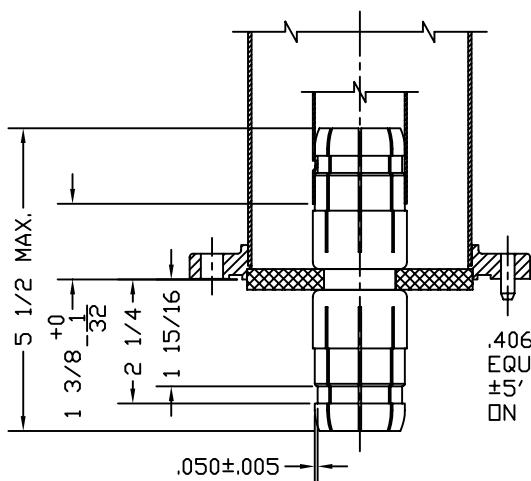
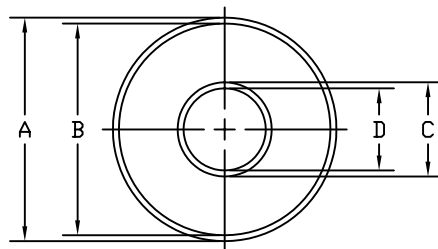




# MYAT, INC

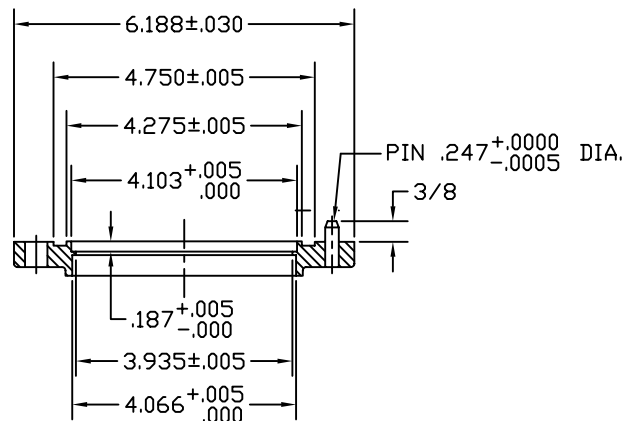
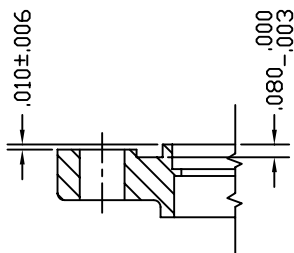
## DRAWING NO. 401-000-DIM 4 1/16" 50 OHM TRANSMISSION LINE.

DIMENSIONS IN INCHES														CHARACTERISTIC IMPEDANCE (OHMS)**		
LINE SIZE	OUTER CONDUCTOR						INNER CONDUCTOR									
	A		B		WALL THICKNESS		C		D		WALL THICKNESS					
	DIA.	TOL.	DIA.	TOL.	NOMINAL	MAXIMUM DEVIATION FROM AVERAGE	DIA.	TOL.	DIA.	TOL.	NOMINAL	MAXIMUM DEVIATION FROM AVERAGE				
4 1/16	4.062	±.006	3.935	±.006	0.064	.012	1.711	±.003	1.631	±.003	0.040	.0053	50	50.09	49.71	



.406 DIA. DRILL - 8 HOLES  
EQUALLY SPACED (45° ARANT  
±5' -NOT CUMULATIVE)  
ON A 5.375±0.005 CIRCLE.

.253<sup>+.004</sup>/<sub>.000</sub> DIA. DRILL  
ON 5.375±.003 CIRCLE

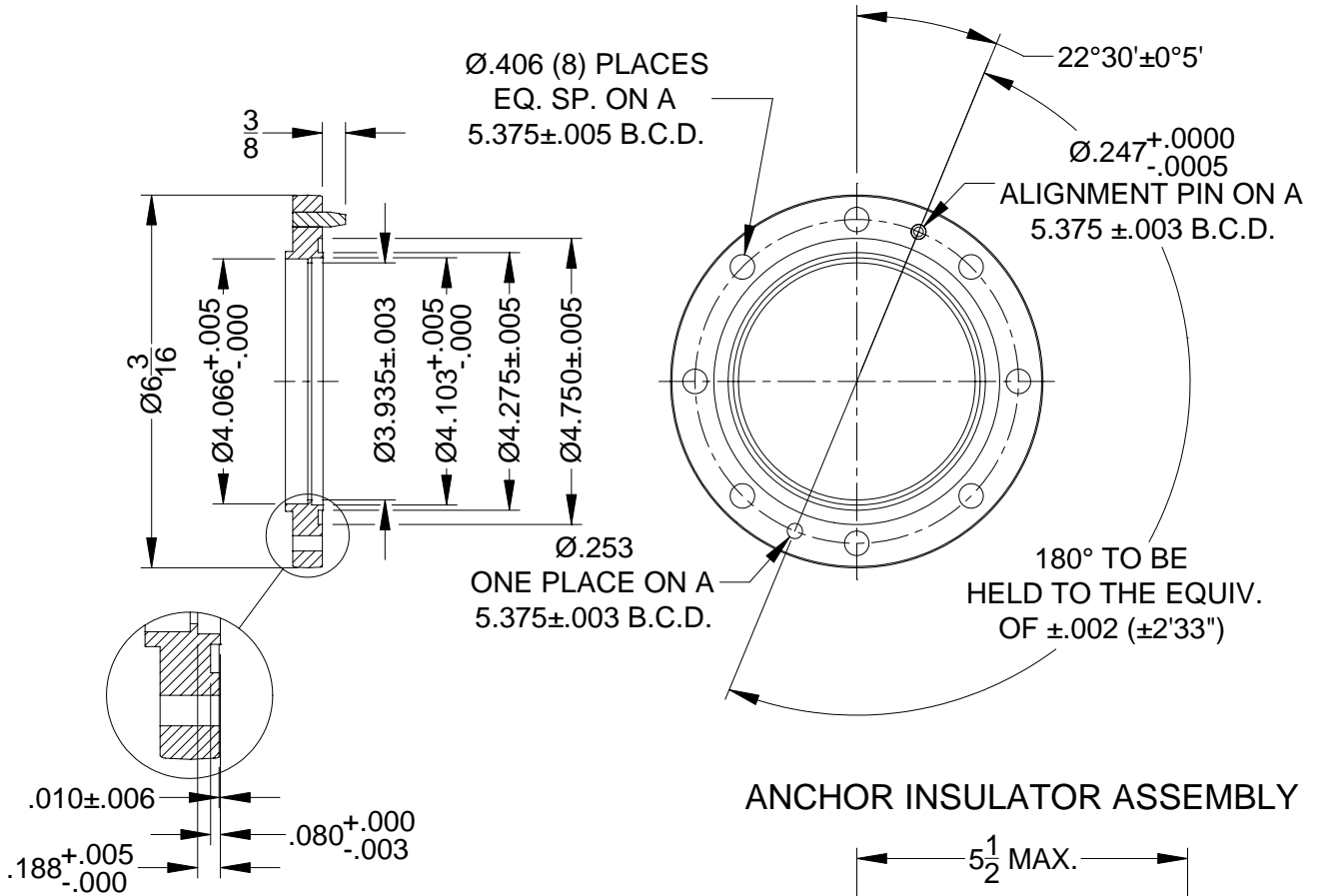


**BOLT DATA**  
3/8-16 x 1 3/4 LONG MIN.

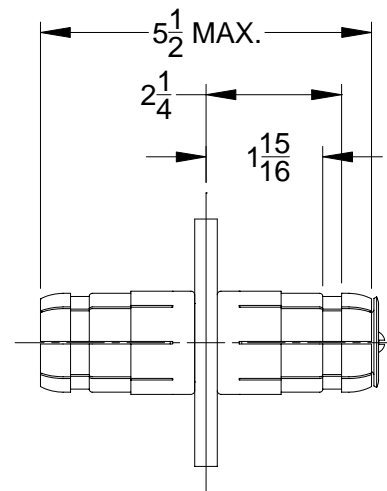
NOTES: 1. FRACTIONAL DIMENSIONS ±1/64 UNLESS OTHERWISE SPECIFIED  
2. ALL DIAMETERS TO BE CONCENTRIC WITHIN .005 EXCEPT STOCK SIZE (O.D.)



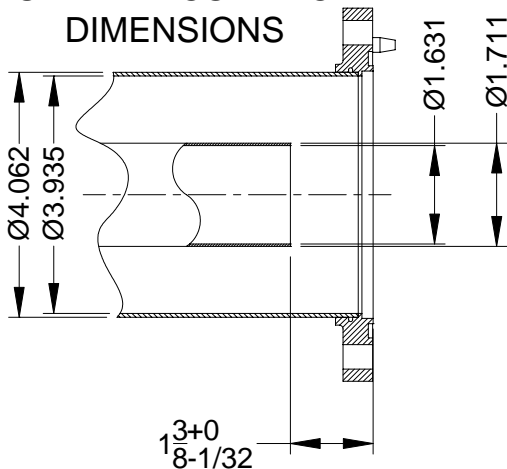
**4 1/16" 50Ω RIGID COAXIAL TRANSMISSION LINE INDUSTRY STANDARD  
FIXED FLANGE ASSEMBLY**



**ANCHOR INSULATOR ASSEMBLY**



**TUBE AND CUT-BACK DIMENSIONS**



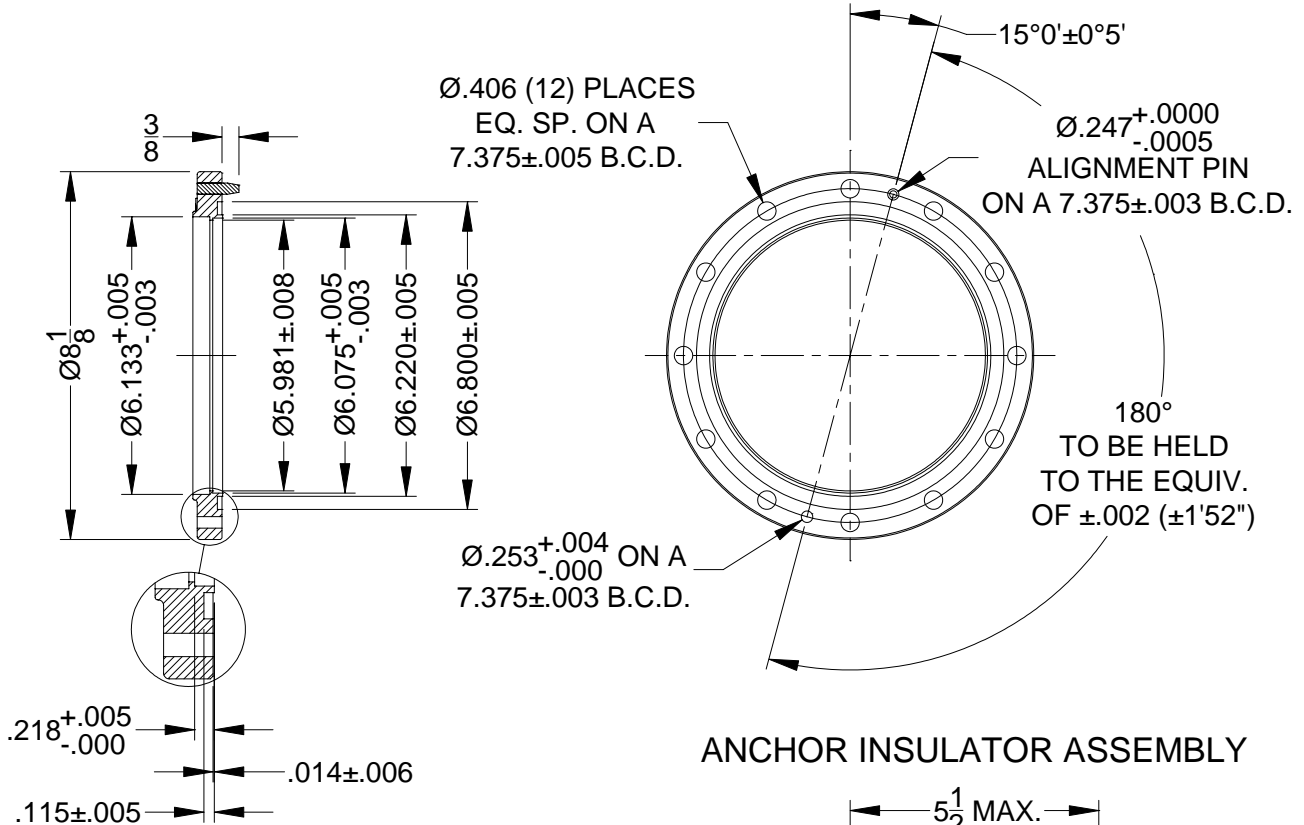
**NOTES:**

1. USES 4.303" I.D. X 4.723" O.D. CUSTOM O-RING.
2. BOLT DATA:  $\frac{3}{8}$ -16 X  $1 \frac{3}{4}$ " LONG MINIMUM.

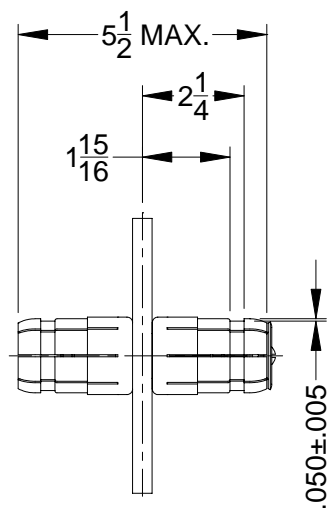
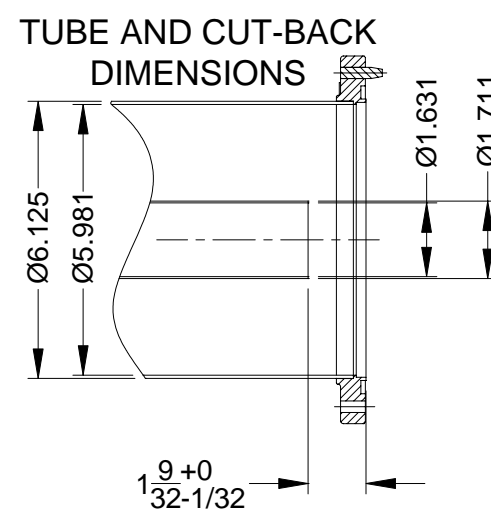


6 1/8" 75Ω RIGID COAXIAL TRANSMISSION LINE INDUSTRY STANDARD  
& I.E.C. STANDARD 339 IEC 75-155-2

FIXED FLANGE ASSEMBLY



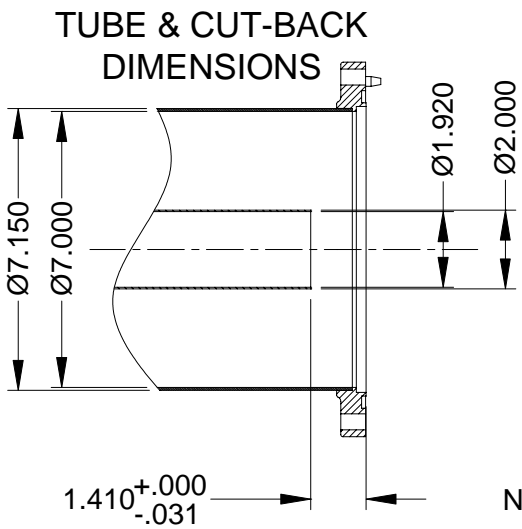
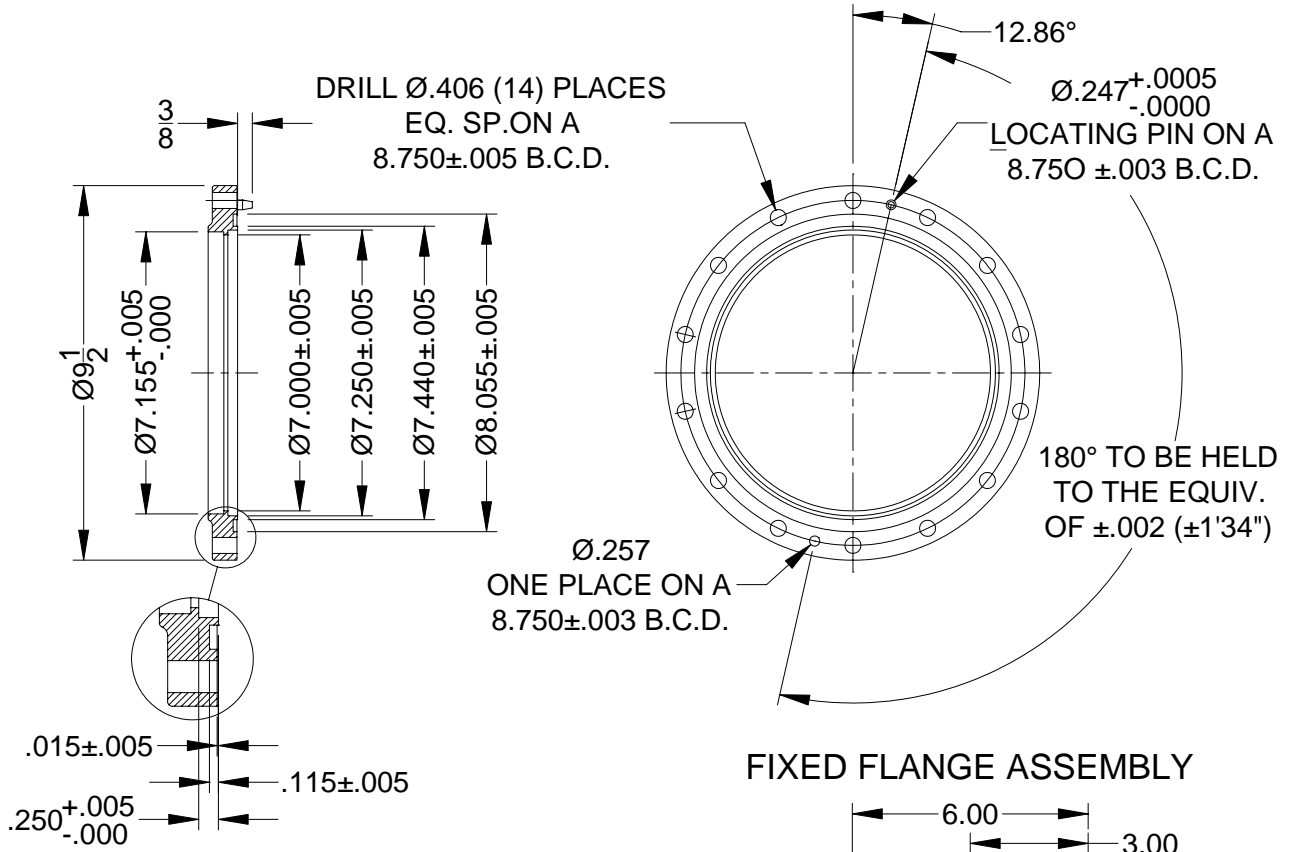
ANCHOR INSULATOR ASSEMBLY



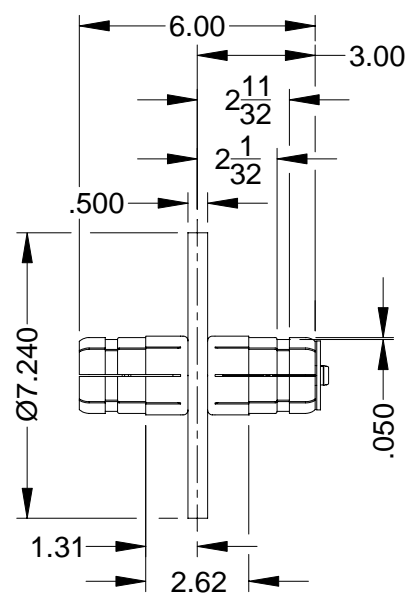
- NOTES:  
1. USES  $6 \frac{1}{4}$ " I.D. X  $6 \frac{3}{4}$ " O.D. NOMINAL O-RING.  
2. BOLT DATA:  $\frac{3}{8}$ -16 X  $1 \frac{3}{4}$ " LONG MINIMUM.



7 3/16" 75Ω RIGID COAXIAL TRANSMISSION LINE INDUSTRY STANDARD  
FIXED FLANGE ASSEMBLY



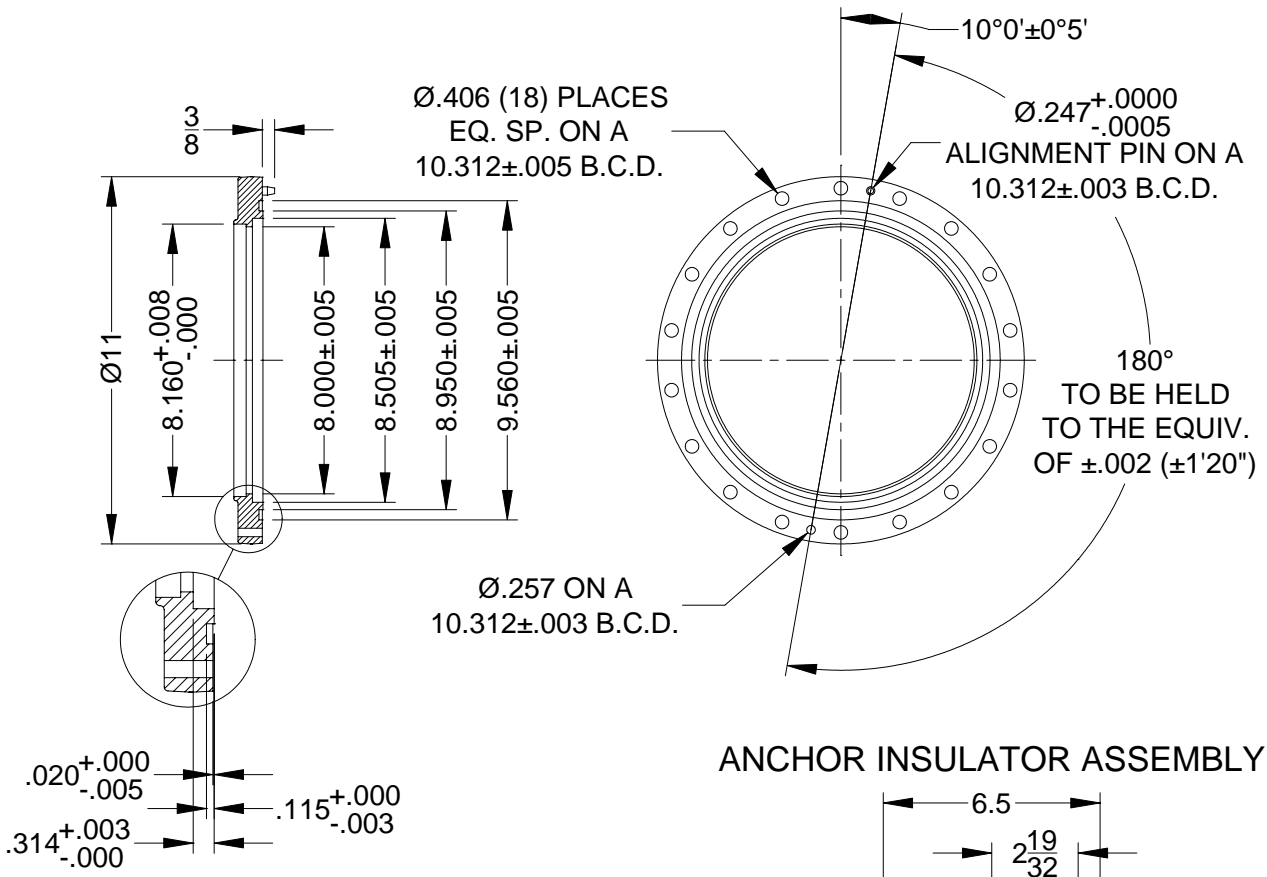
FIXED FLANGE ASSEMBLY



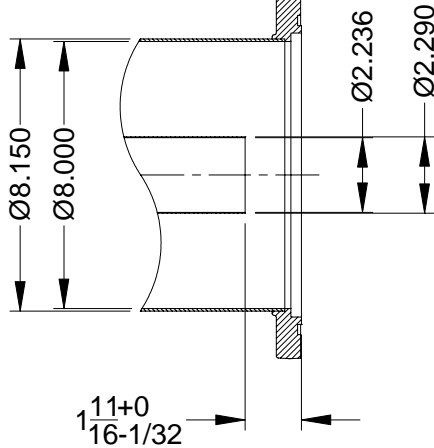
- NOTE:
1. USES Ø7 1/2" I.D. x 8" O.D. NOMINAL 'O'-RING.
  2. BOLT DATA: 3/8-16 x 2.0" LONG.



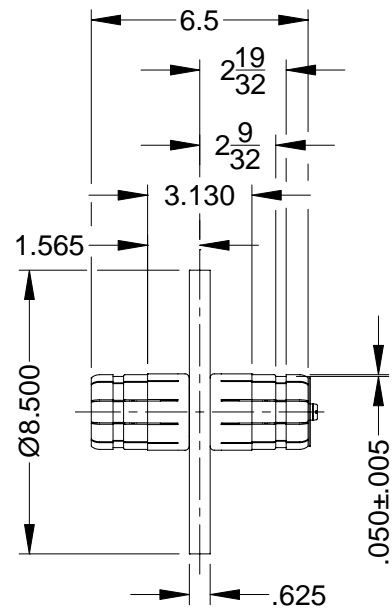
**8 3/16" 75Ω RIGID COAXIAL TRANSMISSION LINE INDUSTRY STANDARD  
FIXED FLANGE ASSEMBLY**



**TUBE AND CUT-BACK DIMENSIONS**



**ANCHOR INSULATOR ASSEMBLY**

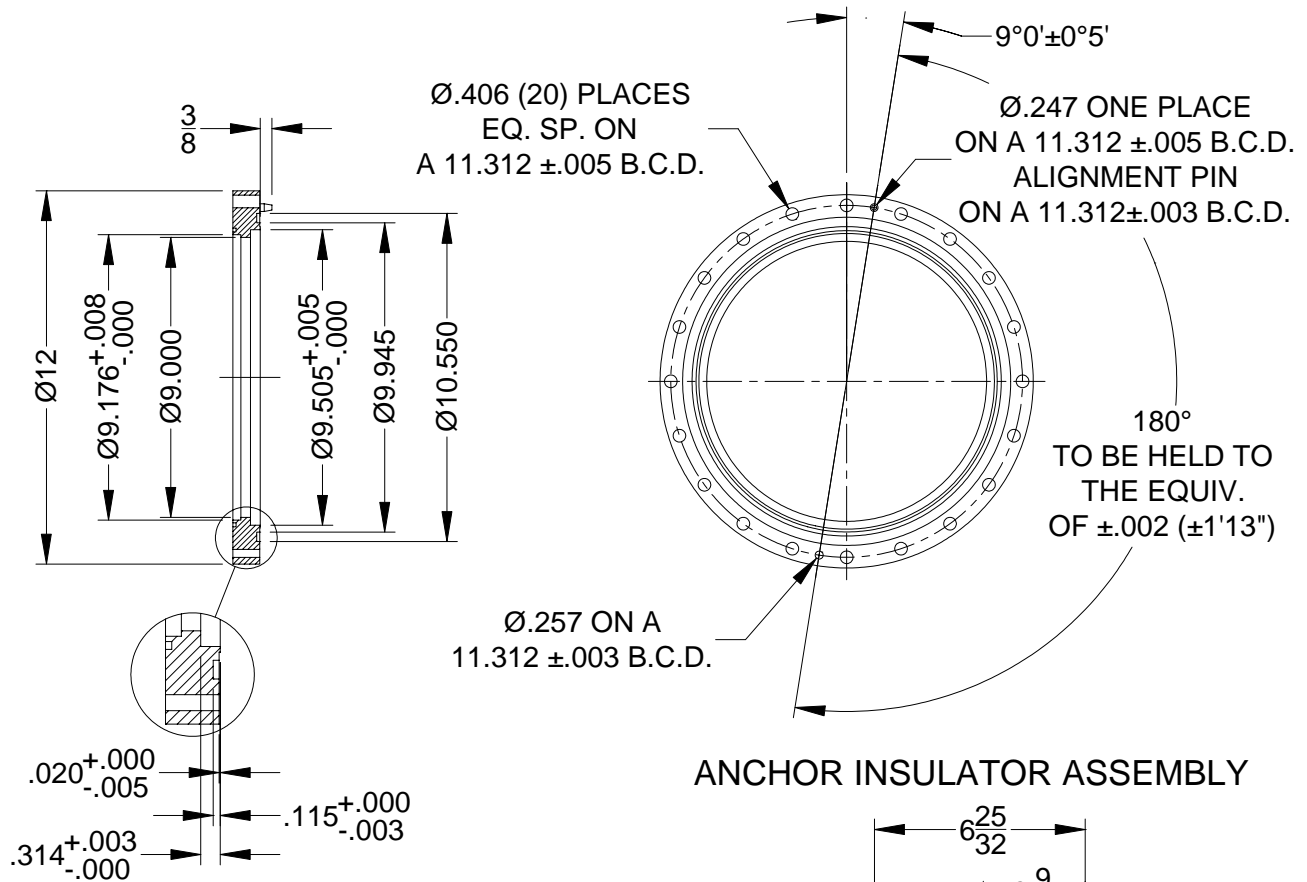


**NOTE:**

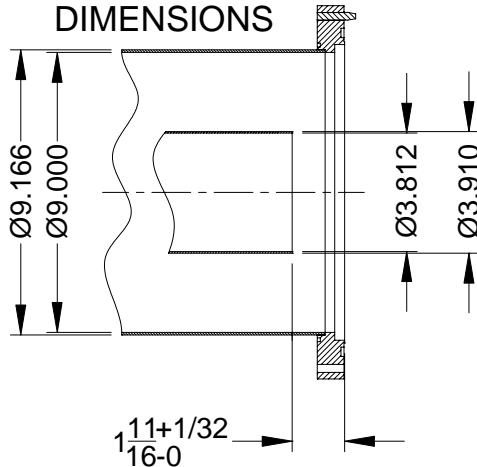
1. USES  $\varnothing 9''$  I.D. x  $9 \frac{1}{2}''$  O.D. NOMINAL 'O'-RING.
2. BOLT DATA:  $3/8-16$  x  $2.25''$  LONG MINIMUM.



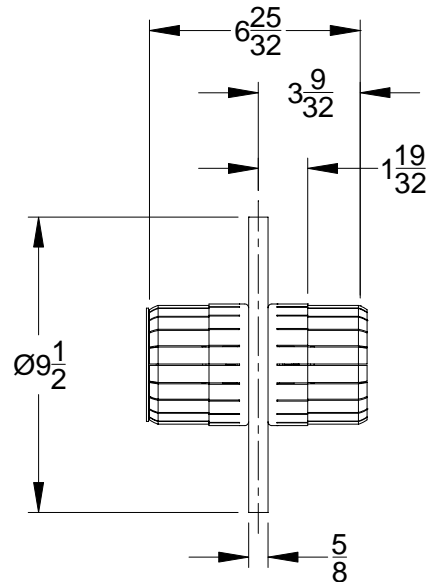
**9<sup>3</sup>/<sub>16</sub>" 50Ω RIGID COAXIAL TRANSMISSION LINE INDUSTRY STANDARD  
FIXED FLANGE ASSEMBLY**



**TUBE AND CUT-BACK DIMENSIONS**



**ANCHOR INSULATOR ASSEMBLY**



**NOTES:**

1. USES 9.975" I.D. X 10.525" O.D. NOMINAL O-RING.
2. BOLT DATA: 3/8-16 X 2.5" LONG MINIMUM.